

METINNO®

# Cavity Sliding Door Systems

Premium cavity systems guaranteed to style  
& work effortlessly within any space



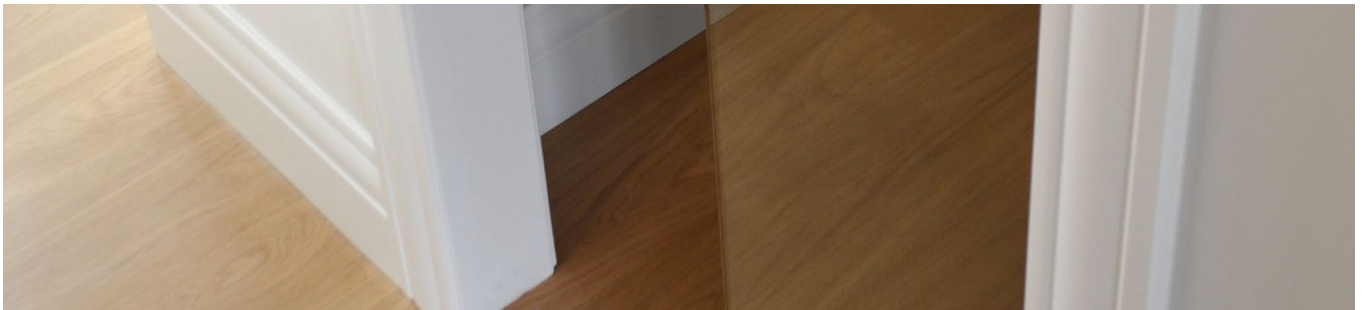




# METINNO®

## Cavity Sliding Door Systems

Quick Reference



**Archiline** Page 4-7



**Flushline** Page 8-11



**Shadowline** Page 12-15



**Aluminium** Page 16-25

**Quick Order Forms** Page 29 & 30



## METINNO® Archiline

### Cavity Sliding Door System

# Create continuity by using the same architraves throughout the project

Metinno Archiline provides complete unit ready for installer to add the architraves that are being used throughout the project. With high load-bearing mechanisms ideal for large doors, soft close options and rebated closer options, improving privacy, acoustics and climate control has never been easier.

#### Features & Benefits:

- Robust, ball bearing carriage system.
- High load bearing mechanism ideal for large doors.
- Concealed pocket made with timber slats (easy to fix plasterboard to) with high tensile alloy frames making opening rigid. This feature reduces risk of large doors scraping in opening.
- Soft close option available.
- Rebated closer option improving privacy, acoustics and climate control.
- Frameless glass option – clamps only supplied.
- Full ceiling height option available.

Visible Opening Frame	Cavity Box Construction	Suits Doors up to 40mm (W)	Suits Stud Wall	Max. Door Width	Max. Door Height	Max. Door Weight
Timber Architrave (as supplied by customer) <i>Architrave frame not supplied with unit.</i>	Aluminium frame with timber slats to attach plasterboard	<ul style="list-style-type: none"> <li>• Timber</li> <li>• Frameless Glass</li> </ul> <i>Glazing completed on-site by customer</i>	92mm Stud Wall Thickness	2200mm	3000mm	Up to: 65kg (M65) 125kg (M125) 150kg (M150)



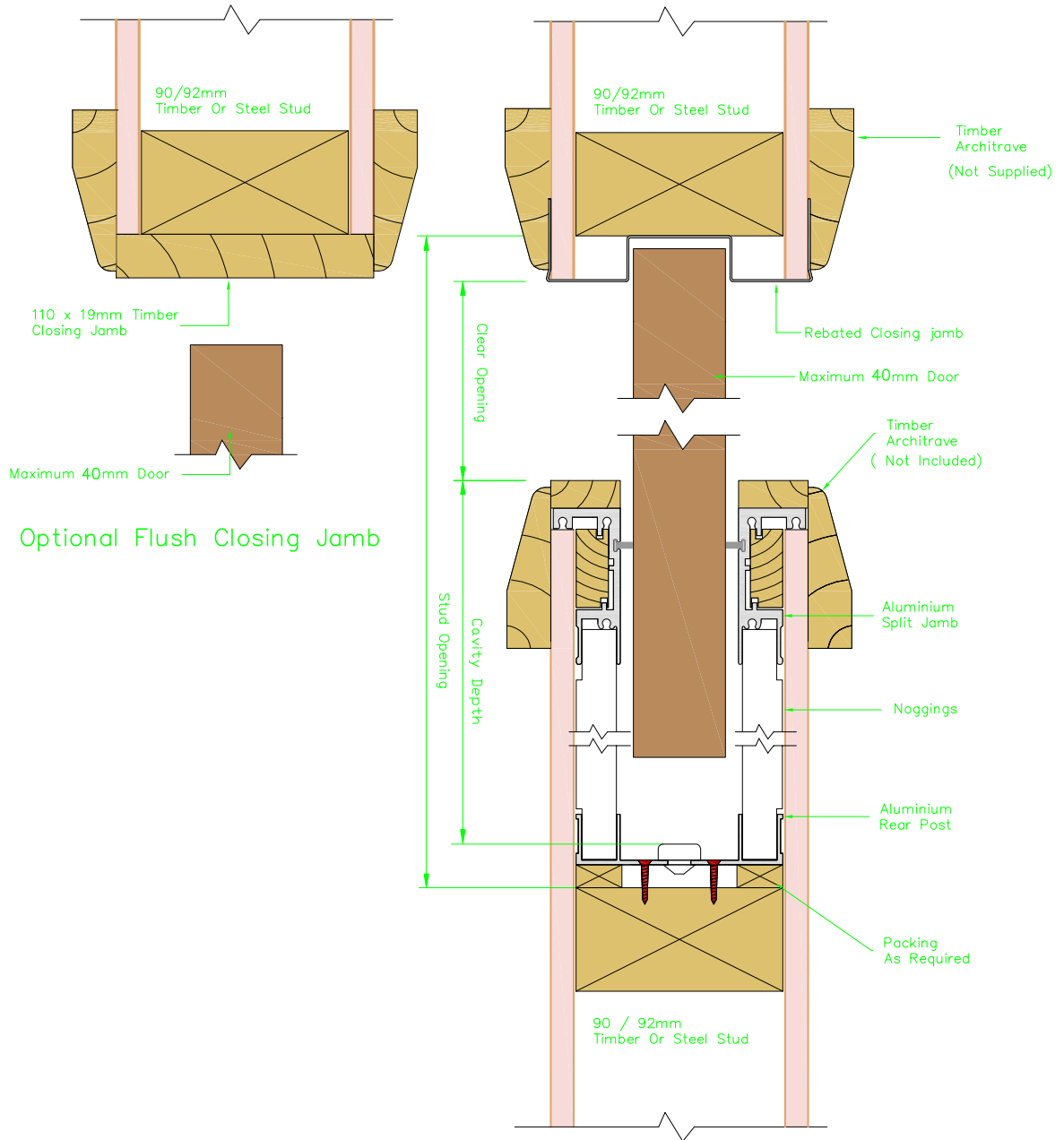
METINNO ARCHILINE - CAVITY SLIDING  
DOOR WITH FRAMELESS GLASS DOOR



# METINNO® Archiline

## CAVITY SLIDING DOOR SYSTEM

### Detail 1 | Metinno Archiline Cavity Sliding Door

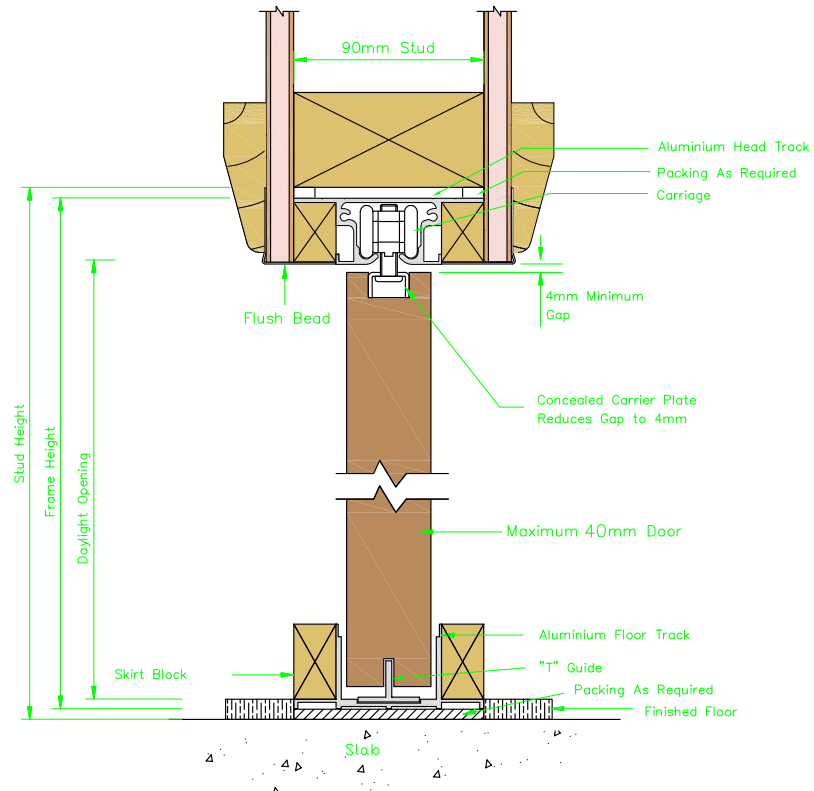


#### Colour Legends

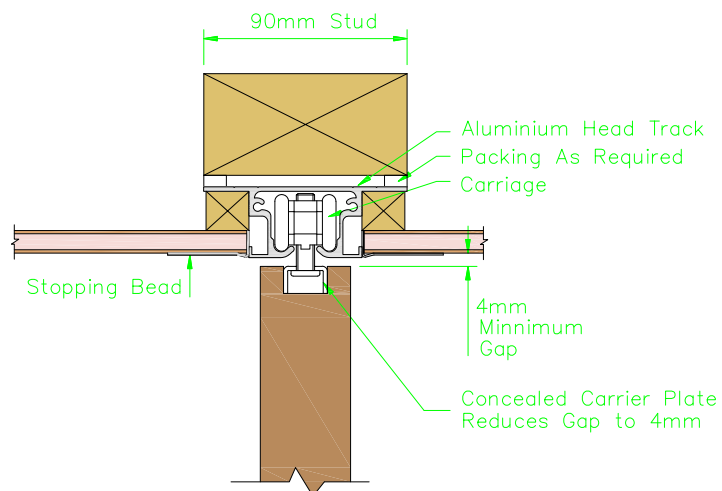
- Aluminium Partition (face and section)
- Steel Stud
- Plasterboard Profile

CAVITY SLIDER CONSTRUCTION DETAILS

Detail 2 | Metinno Archiline Wall Above Detail



Detail 3 | Metinno Archiline Full Height Detail



Glass
  Door
  Glazing Wedge Elevation View
  Glazing Wedge Profile
  Silicone Joint
  Timber Stud





## METINNO® Flushline

### Cavity Sliding Door System

# Achieve clean sharp lines for the ultimate contemporary fit-out

Metinno Flushline provides a unit with all necessary flushing trims to completely eliminate the need for architraves. The seamless finish of flushed walls allows for a smooth transition between rooms when the sliding door is open while achieving privacy, acoustics and climate control when closed.

#### Features & Benefits:

- Elegant clean sharp lines which guarantee the ultimate choice for contemporary fit-out.
- Robust ball bearing carriage system.
- High load bearing mechanism ideal for large doors.
- Rebated closer option improving privacy, acoustics and climate control.
- Frameless glass option – clamps only supplied.
- Soft close option available.
- Concealed pocket made with timber slats (easy to fix plasterboard to) with high tensile alloy frames making opening rigid. This feature reduces risk of large doors scraping in opening.
- Full ceiling height option available.
- Simplifies painting as no timber work requires special finishes.

Visible Opening Frame	Cavity Box Construction	Suits Doors up to 40mm (W)	Suits Stud Wall	Max. Door Width	Max. Door Height	Max. Door Weight
Flush - no visible frame <i>Includes trims &amp; angles ready for installer to flush into wall &amp; frame.</i>	Aluminium frame with timber slats to attach plasterboard	<ul style="list-style-type: none"> <li>• Timber</li> <li>• Frameless Glass</li> <li>• Corner Meeting</li> </ul> <b>Glazing completed on-site by customer.</b>	92mm Stud Wall Thickness	2200mm	3000mm	Up to: 65kg (M65) 125kg (M125) 150kg (M150)



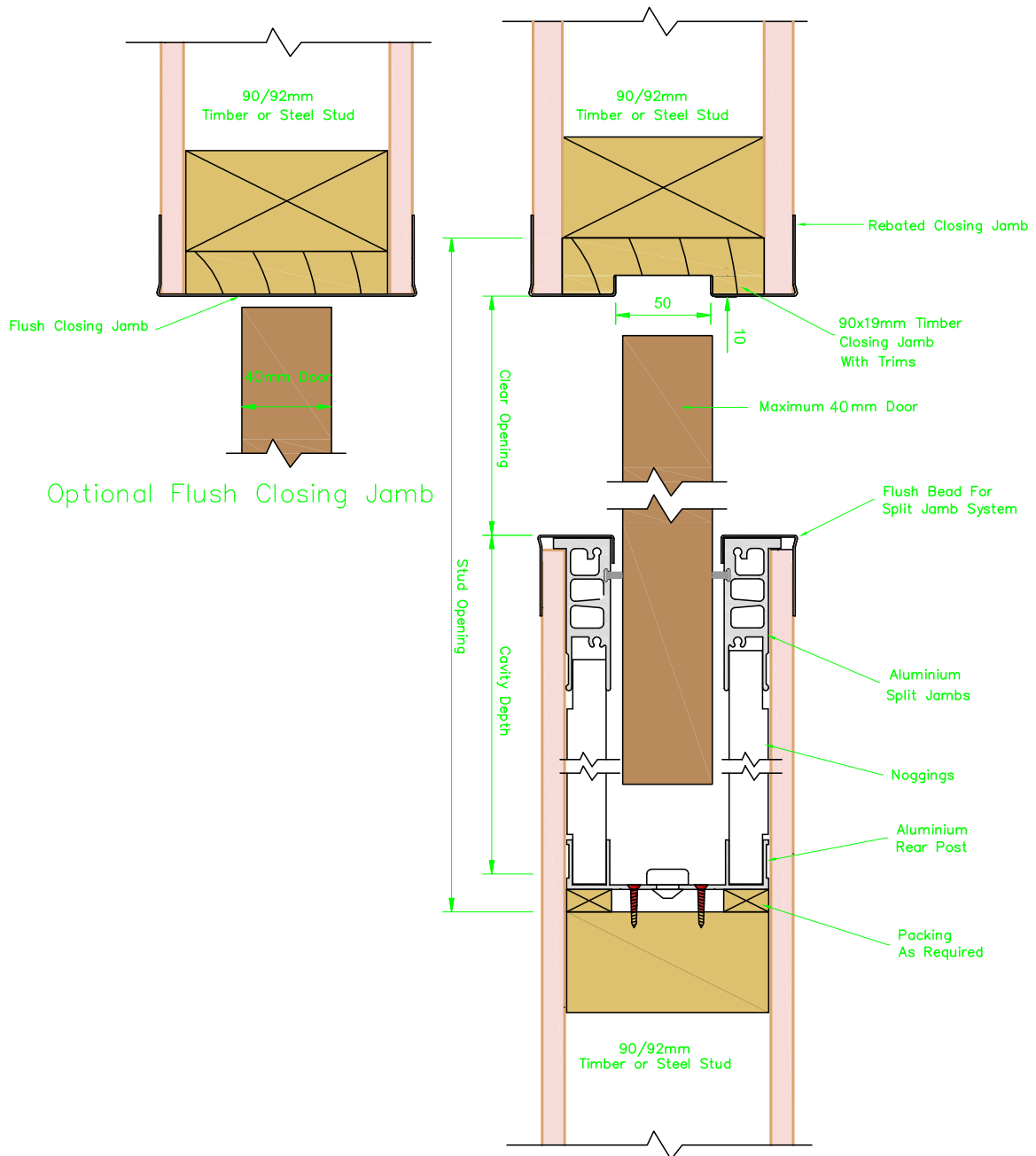
METINNO FLUSHLINE - CAVITY SLIDING DOOR WITH FRAMELESS  
GLASS DOOR, TIMBER DOOR & ALUMINIUM FRAMED GLASS DOOR



# METINNO® Flushline

## CAVITY SLIDING DOOR SYSTEM

### Detail 4 | Metinno Flushline Cavity Sliding Door

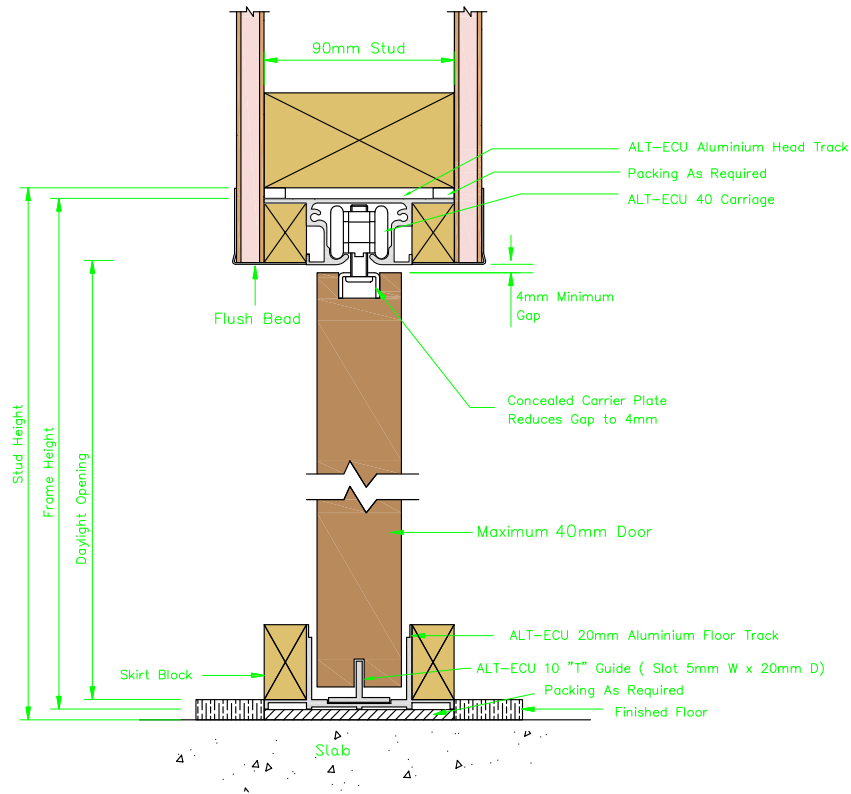


#### Colour Legends

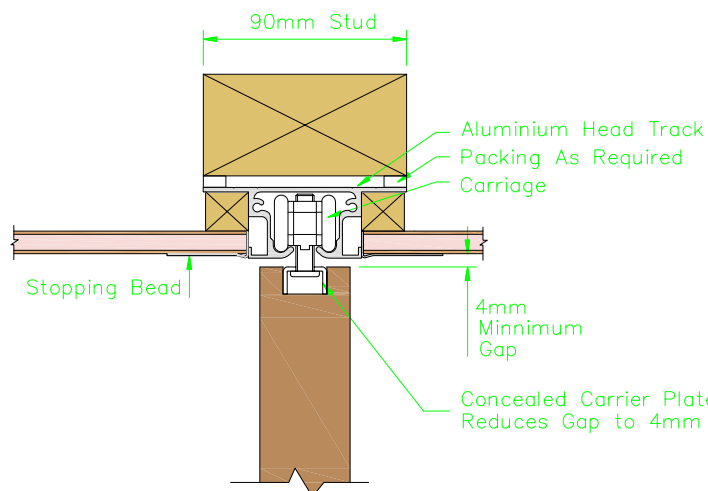
- Aluminium Partition (face and section)
- Steel Stud
- Plasterboard Profile

CAVITY SLIDER CONSTRUCTION DETAILS

Detail 5 | Metinno Flushline Wall Above Detail



Detail 6 | Metinno Flushline Full Height Detail







## METINNO® Shadowline Cavity Sliding Door System

# Frame doorways with perfect, parallel shadowlines

Metinno Shadowline provides a unit with a 32mm timber surround to doorway opening and a 10mm shadowline finish to plasterboard. This system creates a sleek, contemporary detail around doorways and seamlessly integrates with ShadowMax skirting for consistency between spaces.

### Features & Benefits:

- Elegant clean sharp lines which guarantee the ultimate choice for contemporary fit-out.
- Robust ball bearing carriage system.
- High load bearing mechanism ideal for large doors.
- Provides ability to separate the frame and the wall when painting.
- Rebated closer option improving privacy, acoustics and climate control.
- Concealed pocket made with timber slats (easy to fix plasterboard to) with high tensile alloy frames making opening rigid. This feature reduces risk of large doors scraping in opening.
- Soft close option available.
- Frameless glass option – clamps only supplied.
- Same profile as ShadowMax Jamb. Compliments Metinno ShadowMax Ceiling and Skirting finishes.

Visible Opening Frame	Cavity Box Construction	Suits Doors up to 40mm (W)	Suits Stud Wall	Max. Door Width	Max. Door Height	Max. Door Weight
30mm timber with 10mm shadowline to plasterboard. <i>Shadowline trims not included.</i>	Aluminium frame with timber slats to attach plasterboard	<ul style="list-style-type: none"> <li>· Timber</li> <li>· Frameless Glass</li> </ul> <b>Glazing completed on-site by customer.</b>	92mm Stud Wall Thickness	2200mm	3000mm	Up to: 65kg (M65) 125kg (M125) 150kg (M150)



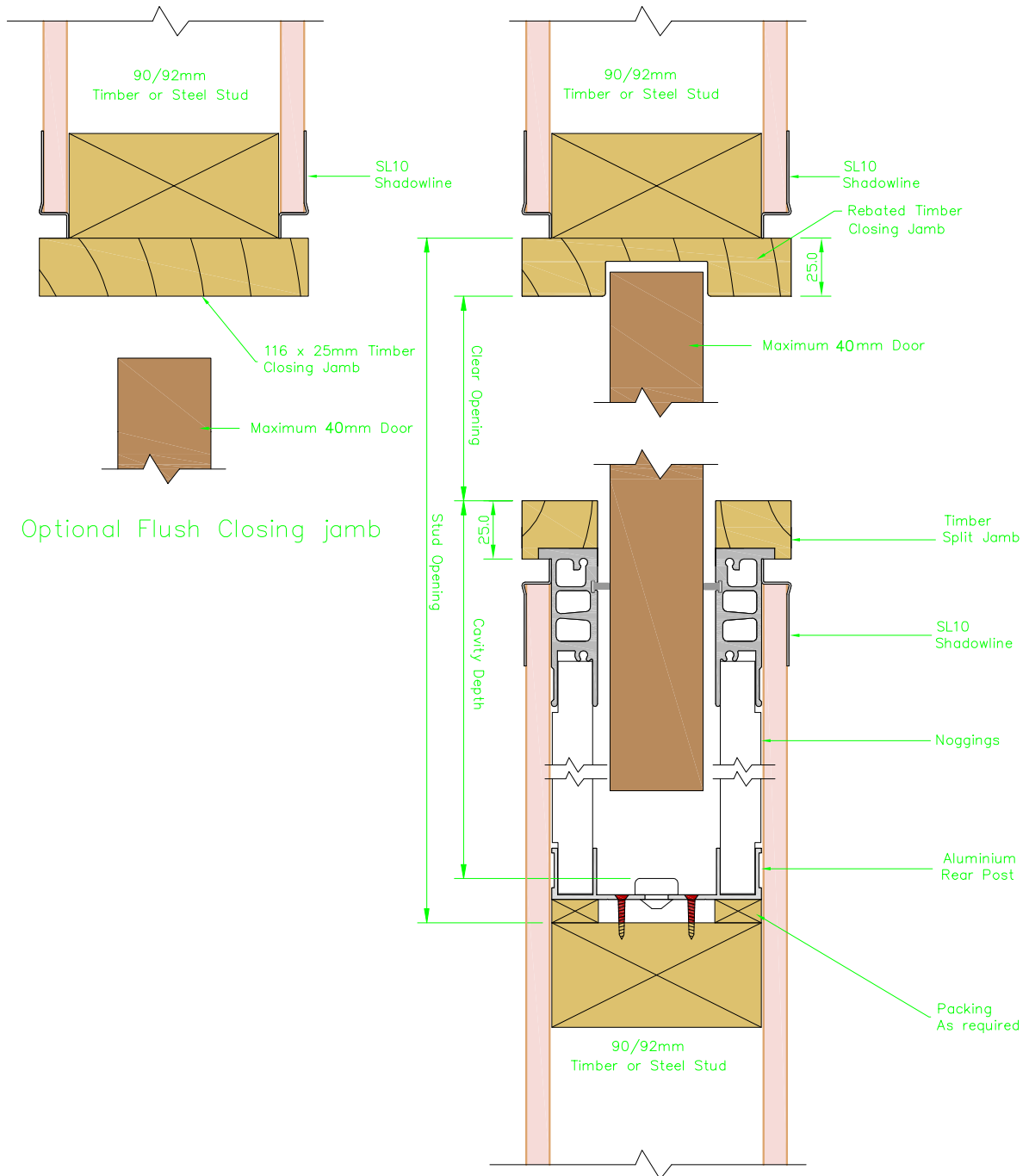
**METINNO SHADOWLINE - CAVITY SLIDING DOOR WITH  
FRAMELESS GLASS DOOR & TIMBER DOOR**



# METINNO® Shadowline

## CAVITY SLIDING DOOR SYSTEM

### Detail 7 | Metinno Shadowline Cavity Sliding Door



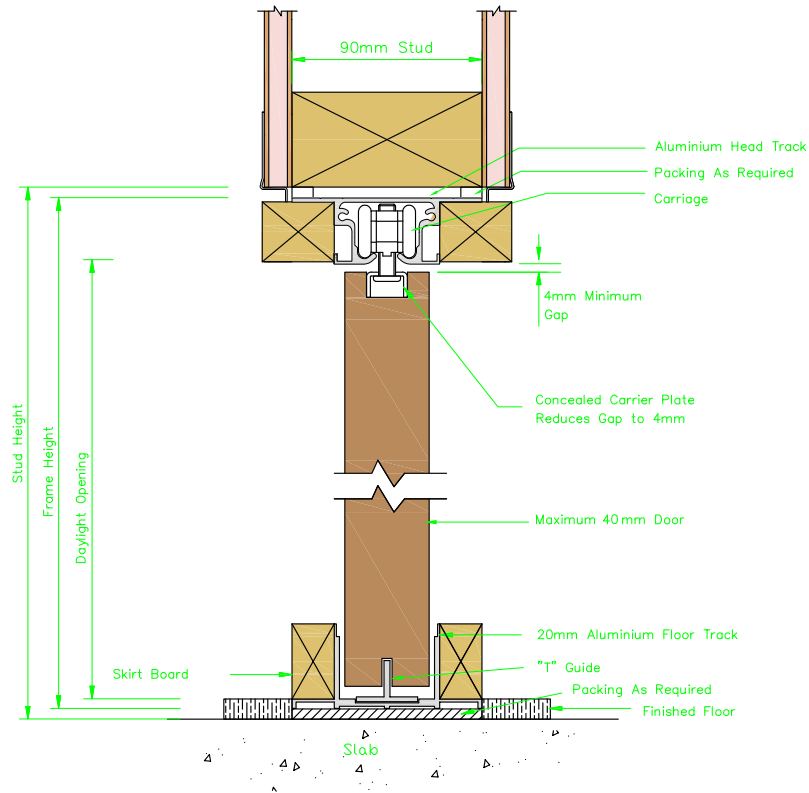
#### Colour Legends

- Aluminium Partition (face and section)
- Steel Stud
- Plasterboard Profile

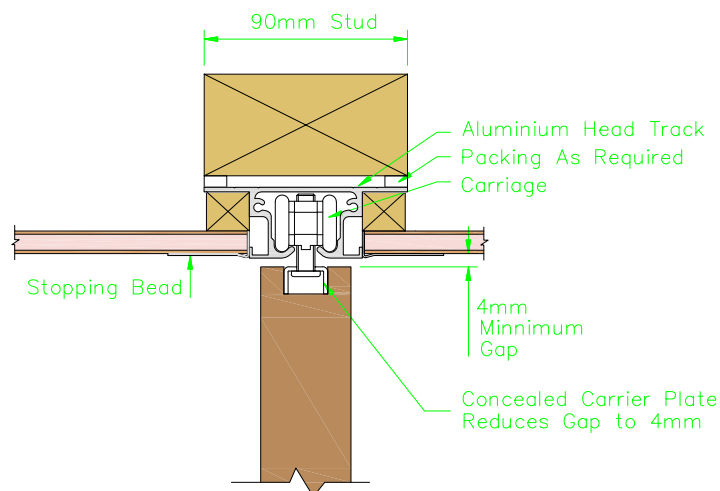


CAVITY SLIDER CONSTRUCTION DETAILS

Detail 8 | Metinno Shadowline Wall Above Detail



Detail 9 | Metinno Shadowline Full Height Detail





## METINNO® Aluminium Cavity Sliding Door System

# A stylish and sturdy space saving solution for office fit-outs

Metinno Aluminium provides a unit with an aluminium surround trim to the doorway opening. If you are using Metinno aluminium partitioning door frames, this unit provides the same 32mm profile therefore maintaining consistency of finish and look throughout the entire project. Aluminium framed sliding doors are available in any anodised or powder coat finish, as well as a large range of timber doors.

### Features & Benefits:

- Elegant clean sharp lines which guarantee the ultimate choice for contemporary fit-out.
- Concealed pocket made with timber slats (easy to fix plasterboard to) with high tensile alloy frames making opening rigid. This feature reduces risk of large doors scraping in opening.
- Option available for heavy or large doors using a stronger system.
- Robust ball bearing carriage system.
- Rebated closer improves privacy, acoustics & climate control.
- Metinno 5000 Series glass sliding doors available to suit 92mm steel stud only.
- If aluminium head track exists in room then a full height unit can be integrated to clip into this.
- Also pre-glazed 37mm aluminium framed doors in clear, opaque and translucent glass.

Visible Opening Frame	Cavity Box Construction	Suits Doors up to 45mm (W)	Suits Stud Wall	Max. Door Width	Max. Door Height	Max. Door Weight
Aluminium Frame <i>32mm Profile that integrates with Metinno Aluminium Partitioning Systems</i>	Aluminium frame with timber slats to attach plasterboard	<ul style="list-style-type: none"> <li>• Glass Door with Aluminium Frame</li> <li>• Timber Door</li> <li>• Wall above Glass Door with Aluminium Frame</li> </ul> <p><i>Glazing completed on-site by customer.</i></p>	64 & 92mm Stud Wall Thickness <i>64mm suits timber doors only.</i>	1500mm	2700mm	150kg

### ALUMINIUM CAVITY SLIDING DOOR



**Option 1** Full height into existing aluminium head track



**Option 2** Full height



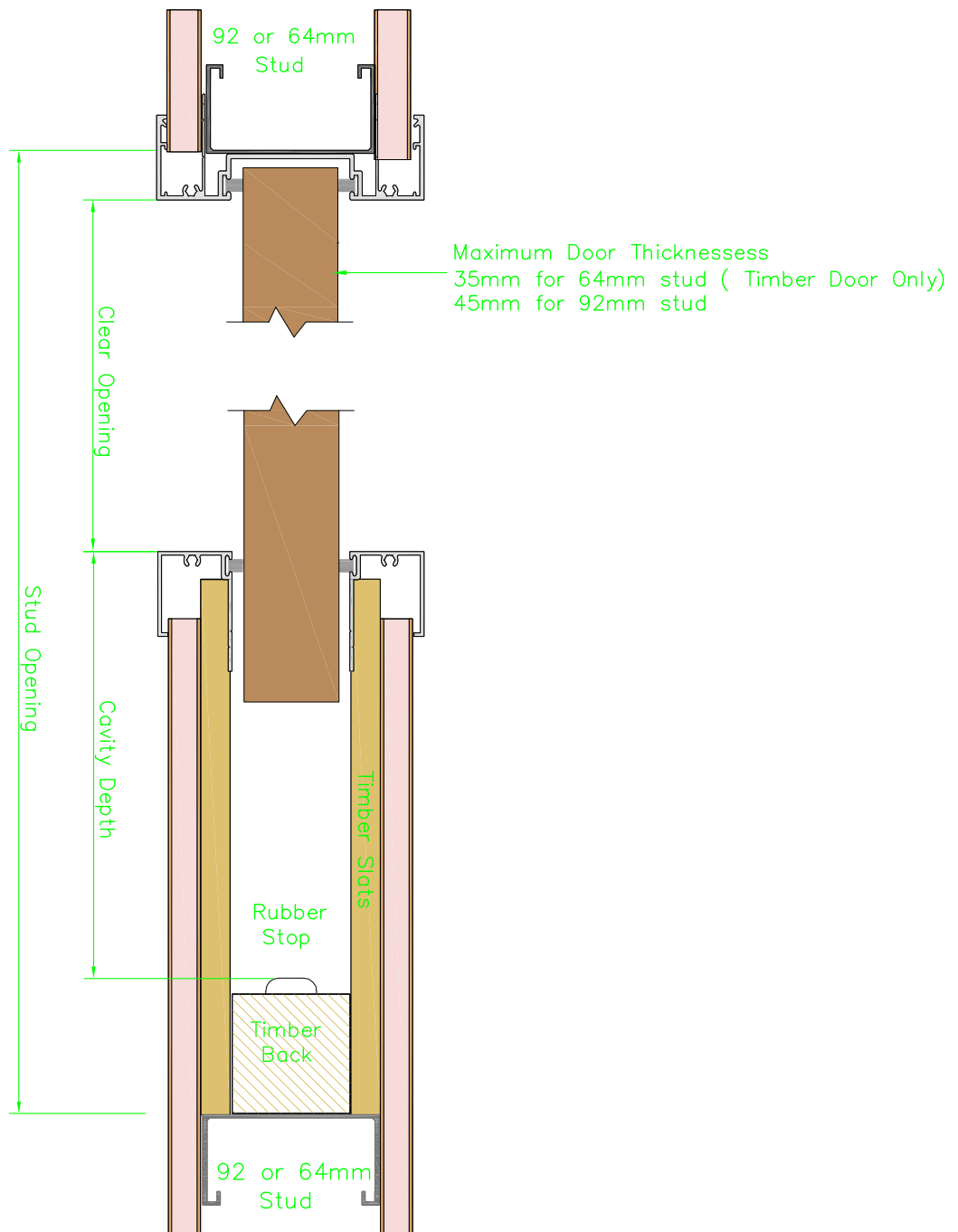
**Option 3** Plasterboard above unit



# METINNO® Aluminium

## CAVITY SLIDING DOOR SYSTEM

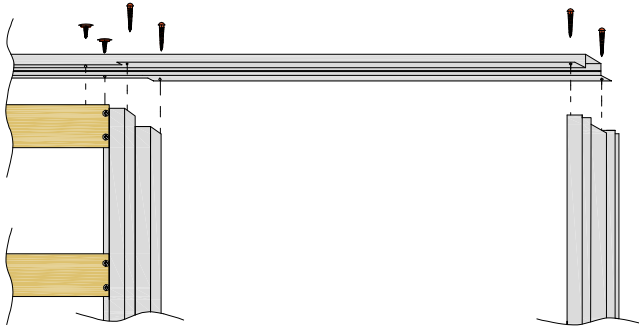
### Detail 10 | Metinno Aluminium Cavity Sliding Door



#### Colour Legends

- Aluminium Partition (face and section)
- Steel Stud
- Plasterboard Profile

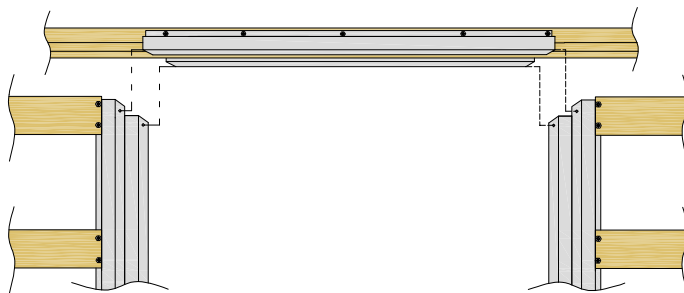
**Detail 11 | Metinno Aluminium Full Height Cavity Slider**



**Detail 12 | Metinno Aluminium Cavity Slider with Plasterboard Above**



**Detail 13 | Metinno Aluminium Double Cavity Slider**

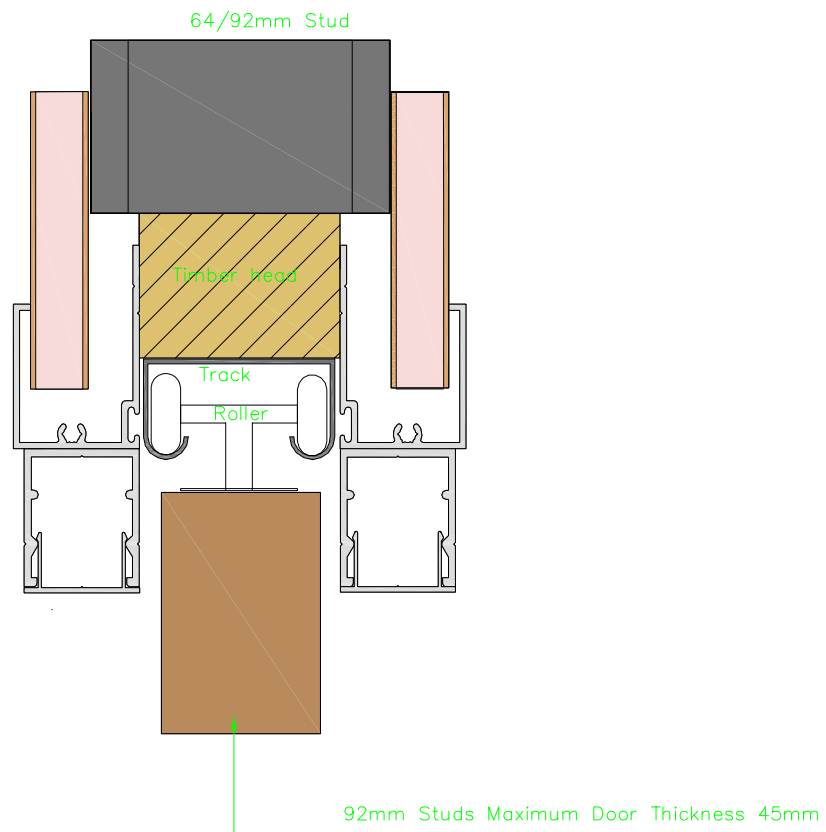


Glass
  Door
  Glazing Wedge Elevation View
  Glazing Wedge Profile
  Silicone Joint
  Timber Stud

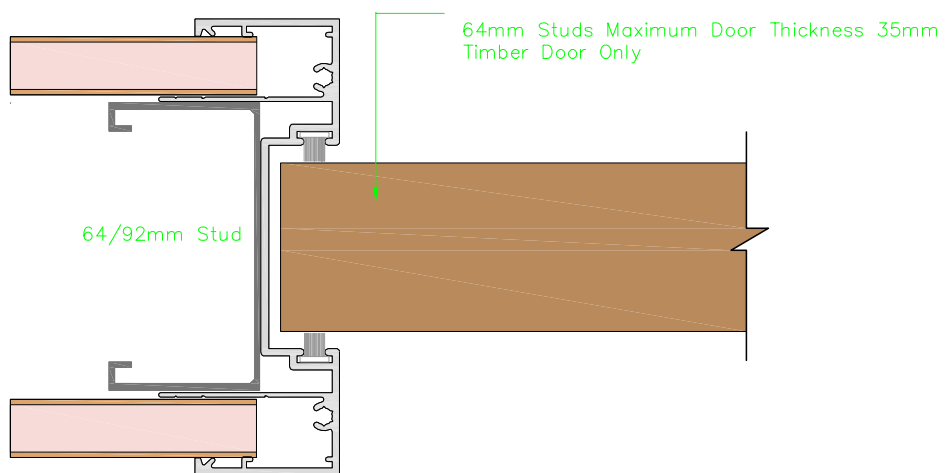
# METINNO® Aluminium

## CAVITY SLIDING DOOR SYSTEM

### Detail 14 | Metinno Aluminium Head Track and Roller



### Detail 15 | Metinno Aluminium Recessed Closing Stile



#### Colour Legends

Aluminium Partition (face and section)

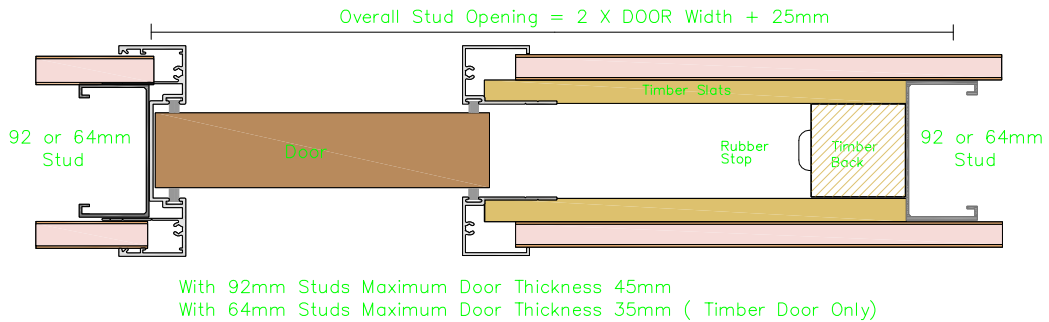
Steel Stud

Plasterboard Profile

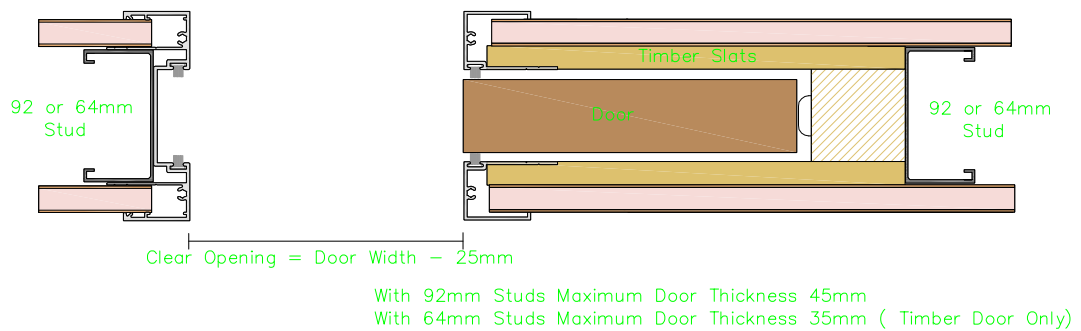


CAVITY SLIDER CONSTRUCTION DETAILS

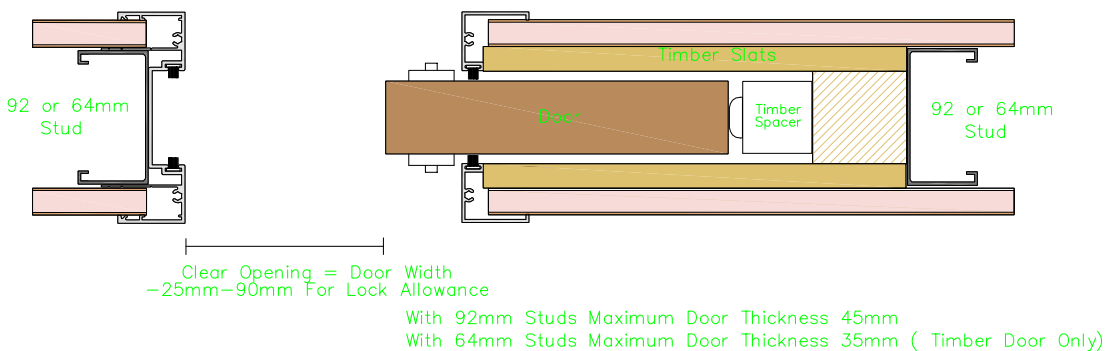
Detail 16 | Metinno Aluminium Overall Standard Opening Between Studs



Detail 17 | Metinno Aluminium Clear Opening



Detail 18 | Metinno Aluminium Clear Opening with Lock Allowance

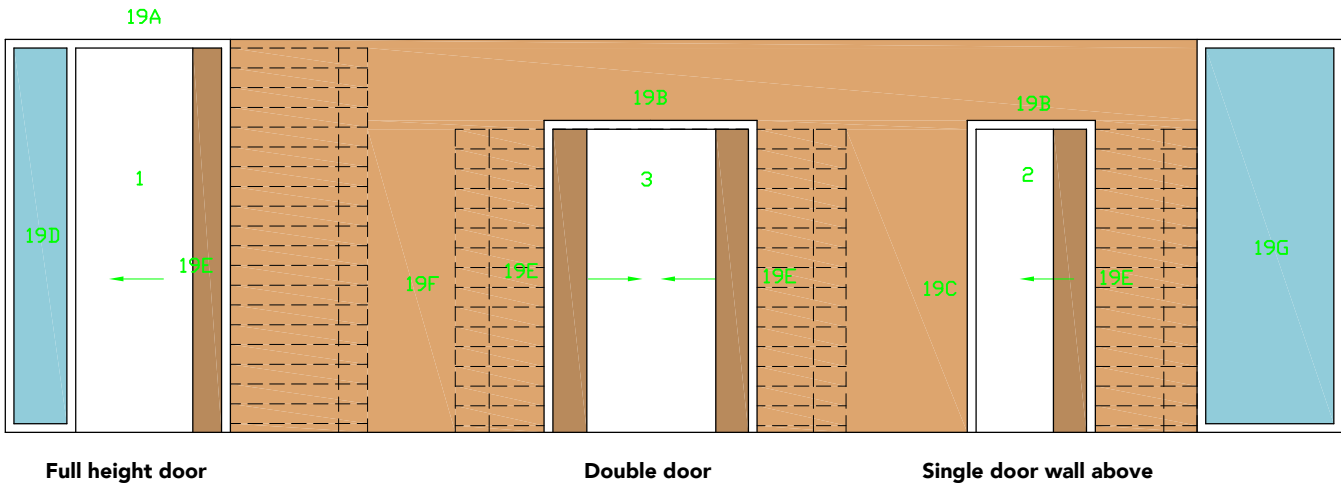


Plan View with Aluminium opening frame. Available for 64mm and 92mm steel studs.  
Please note only 35 mm doors fit in the 64mm stud profile.

# METINNO® Aluminium

## CAVITY SLIDING DOOR SYSTEM

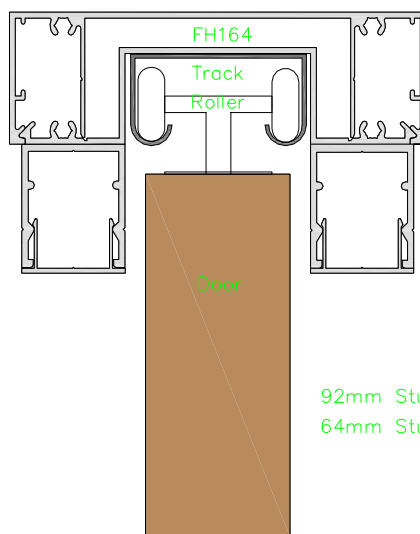
### Detail 19 | Metinno Aluminium Assembly Detail for 64mm or 92mm Studs



See following pages for drawings 19A to 19G

Note: The Metinno system is only available in a completed unit. The individual drawings are for your information only.

### Detail 19A | Metinno Aluminium Head Track and Pelmet for Full Height Option



92mm Studs Maximum Door Thickness 45mm

64mm Studs Maximum Door Thickness 35mm ( Timber Doors Only)

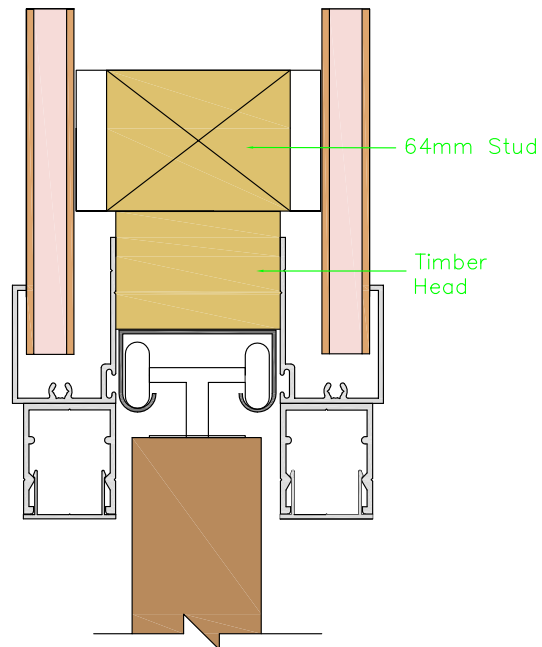
#### Colour Legends

Aluminium Partition (face and section)

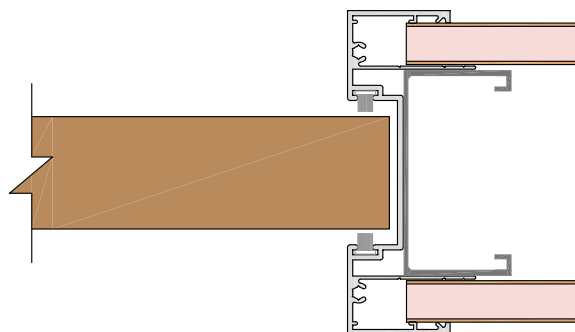
Steel Stud

Plasterboard Profile

Detail 19B | Metinno Aluminium Head Track and Pelmet with Partition Above



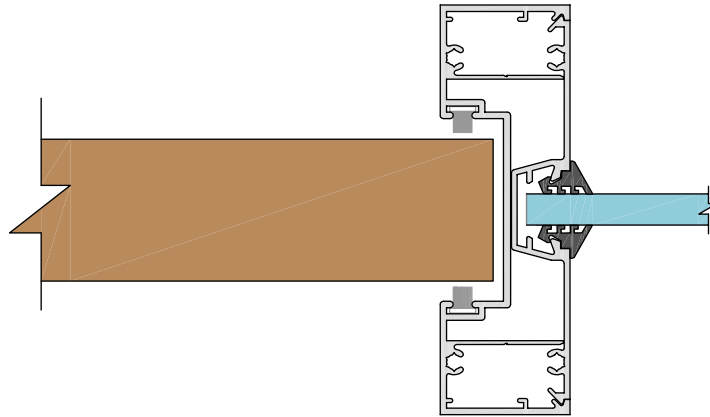
Detail 19C | Metinno Aluminium Receiver to Partition



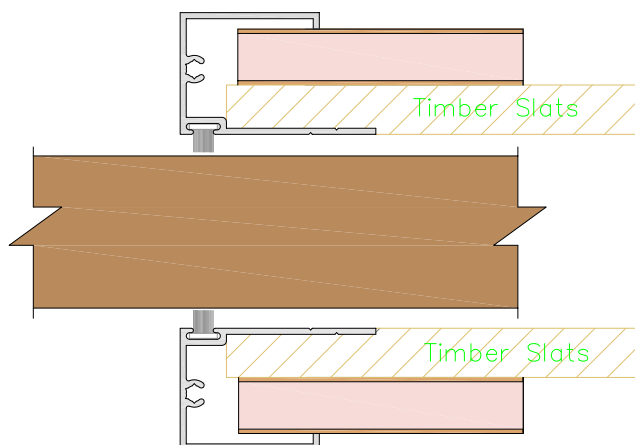
# METINNO® Aluminium

## CAVITY SLIDING DOOR SYSTEM




### Detail 19D | Metinno Aluminium Receiver to Glass Junction



### Detail 19E | Metinno Aluminium Cavity Jamb Detail

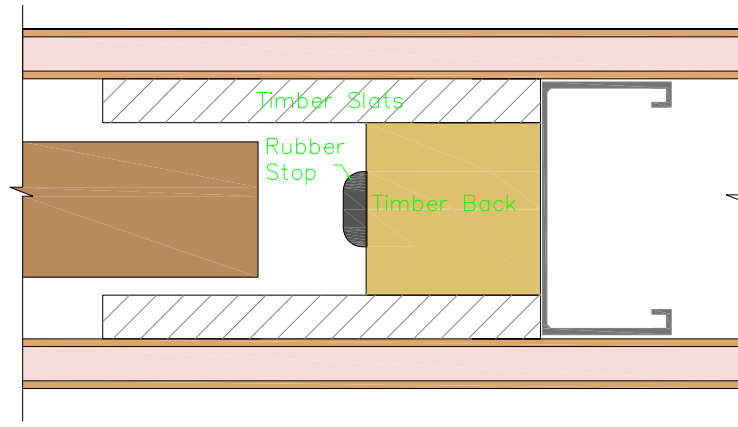


#### Colour Legends

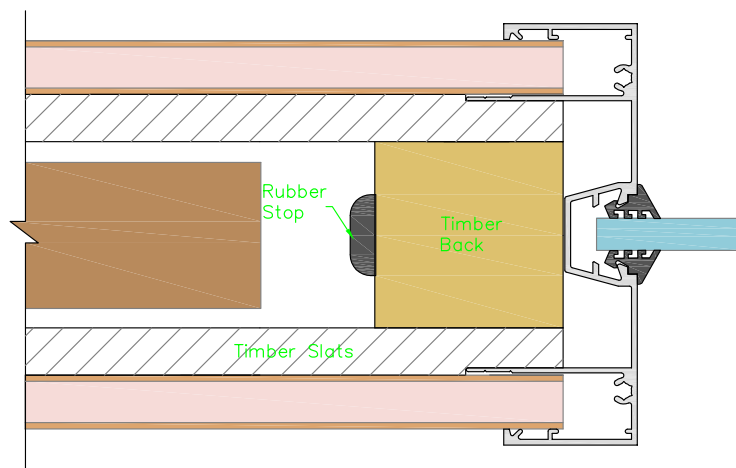
-  Aluminium Partition (face and section)
-  Steel Stud
-  Plasterboard Profile



Detail 19F | Metinno Aluminium Rear of Cavity Detail



Detail 19G | Metinno Aluminium Rear of Cavity to Glass Junction



- Glass
- Door
- Glazing Wedge Elevation View
- Glazing Wedge Profile
- Silicone Joint
- Timber Stud

# METINNO® Archiline, Flushline & Shadowline

## CAVITY SLIDER INSTALLATION INSTRUCTIONS

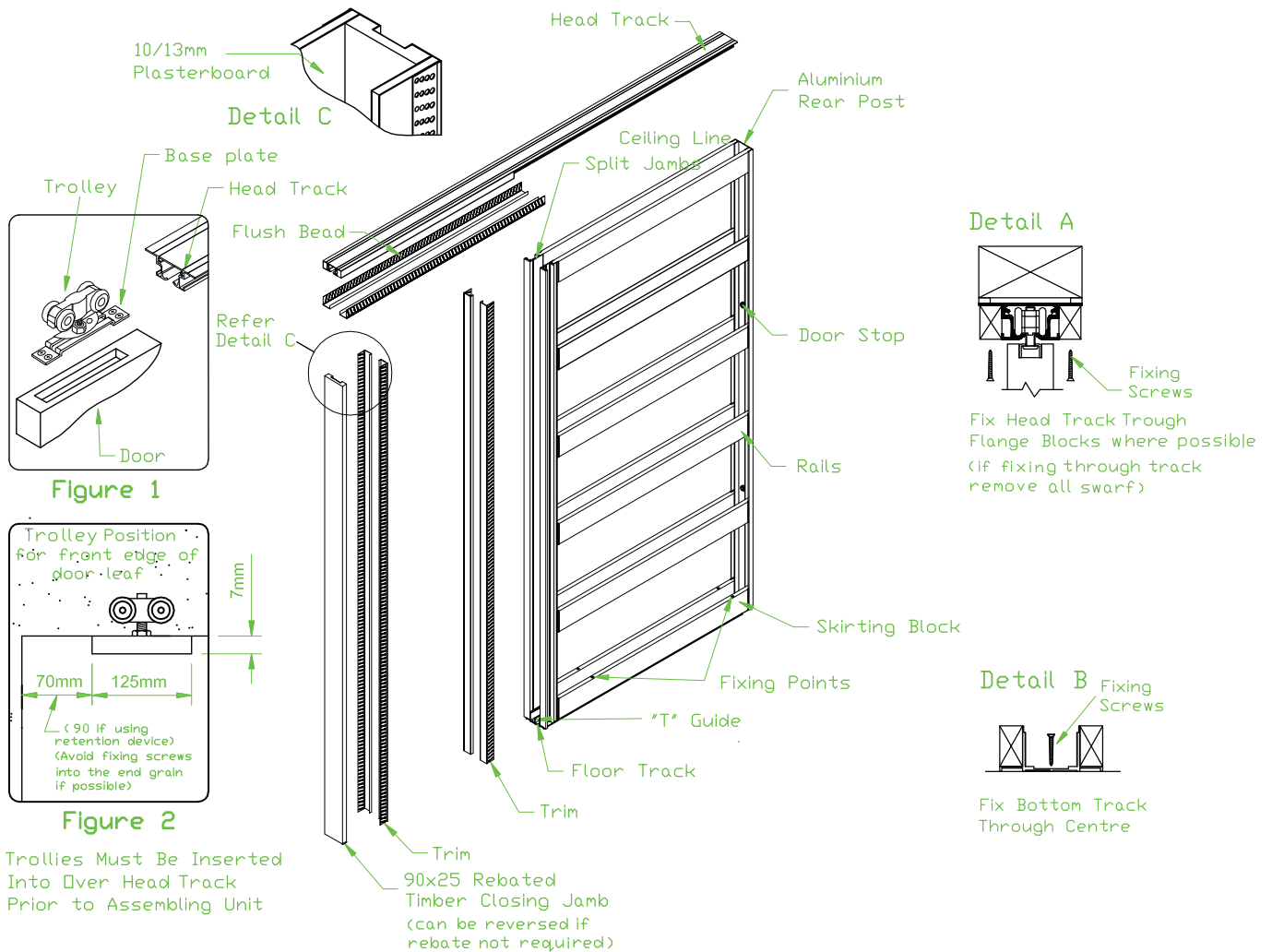
### Detail 20 | Metinno AR, FL & SL Cavity Slider Installation Instructions

#### Assembly / Installation Instructions

1. Attach overhead track to cavity frame and slide trolley into track (see detail A). If using soft close, it is simpler to ensure it is in the track now, although it can be inserted or removed through the cutout in the track if needed.
2. Check for level and cut closing jamb to size, if required. Fix closing jamb (optional) to overhead track. Fit into place, ensuring it is plumb and square.
3. Pack unit, if necessary, to finished floor level and secure to stud work.
- 4a. Fit carriage base plates (x2) to door 70-90mm from each end (Refer to Figure 1 & 2). Must be rebated 7mm into door.
  - b. Base plates can be fitted further in if not using soft close or retention/stop device.
  - c. For aluminium doors secure base plates (x2) where stiles finish.
5. Install door into position and check operation before cladding.
6. Clad wall, ensuring fixings penetrate into but not through rails.
7. Fit trims to 90x25 rebated timber closing jamb (see detail C). Fix MCXTRIM1024 trims over split jamb and overhead track. Screw into position with bugle head screws ensuring below flushing level.
8. Fix bottom track through centre of track (see notes below).

#### Note:

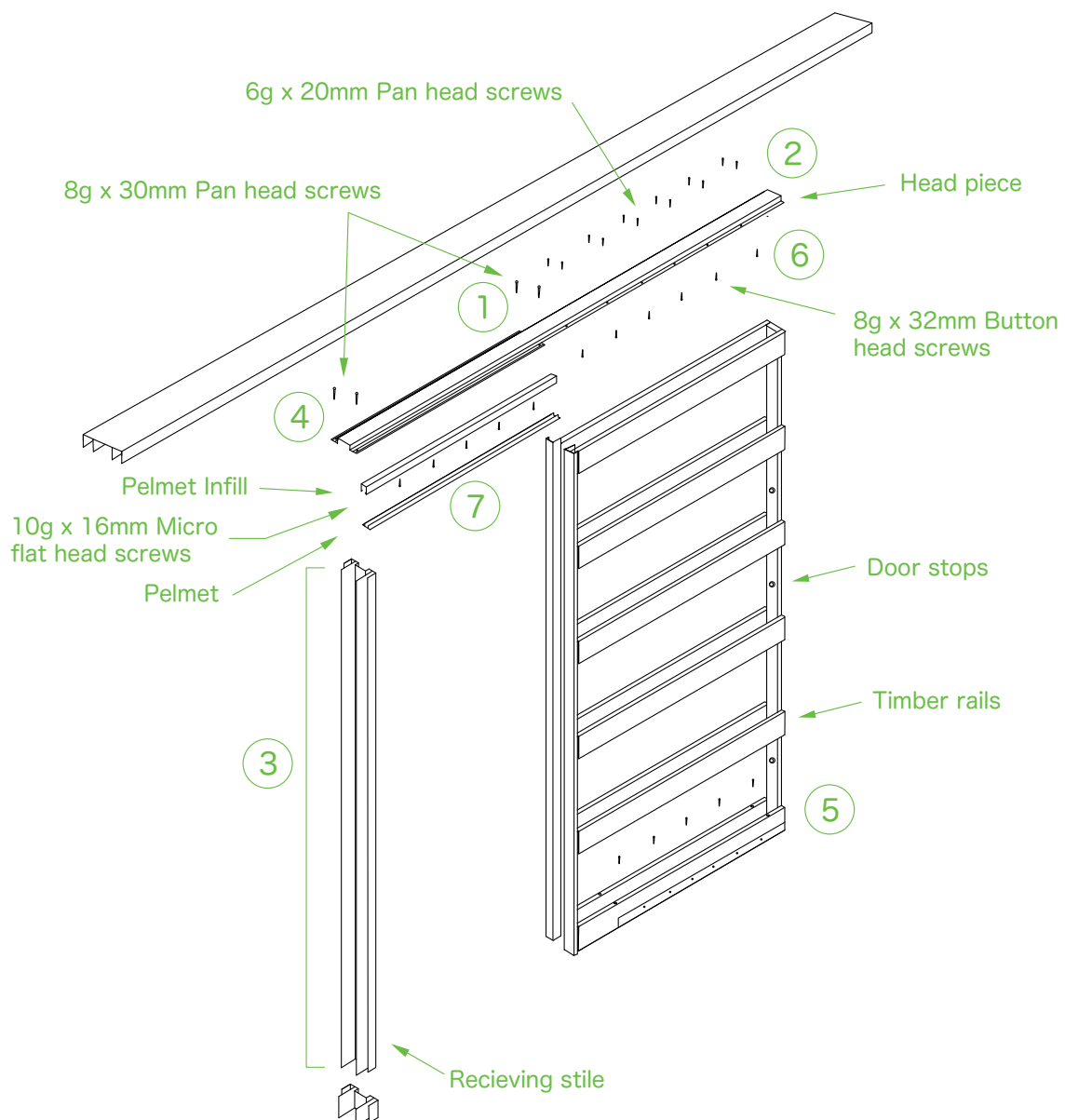
Use countersunk head screws that do not protrude more than 4mm above the aluminium floor track to ensure no obstruction to door (see detail B). If you have to drill, nail or screw through the centre of the head track, this will cause the track to be contaminated by aluminium flings and swarf. This will effect the smooth running of carriages and must be removed. If possible, fix the top track to the stud above from the outside flanges (see detail A).



### Detail 21 | Metinno Aluminium Cavity Slider Installation Instructions

#### Assembly / Installation Instructions

1. Fix head piece to the cavity pocket by screwing the aluminium sections together using the 8g x 30mm pan head screws.
2. Fix the head through the timber rails using the 6g x 20mm pan head screws.
3. Measure the length required for the receiving stile. (The receiving stile is supplied 20mm over length to allow for un-even floor.) Trim the receiving stile to size.
4. Screw the receiving stile into place with the 8g x 30mm pan head screws.
5. The unit can now be stood in place, snapped into the existing head track and fixed to the floor through the metal base.
6. Remove the temporary fabrication screws holding the track and replace them with the 8g x 32mm button head screws, ensuring to fasten to a solid substrate. This will fasten the track, full-height section and head track together.
7. Install the door, then screw the pelmet infill section to the aluminium head section with the 10g x 16mm micro flat head screws, and finally snap the pelmet into place.





### CAVOT | One Touch Cavity Release System

**The One Touch Cavity Release System is a neat alternative to edge of door hardware for retrieving doors from cavity pockets.**

The system works by loading a spring mechanism when opening the door (specifically the last 15mm). Once the spring is charged, simply push on the door edge to release the spring catch and the door is propelled up to 100mm from the pocket. Finish your flush, concealed cavity door and eliminate door hardware with the One Touch Cavity Release System.



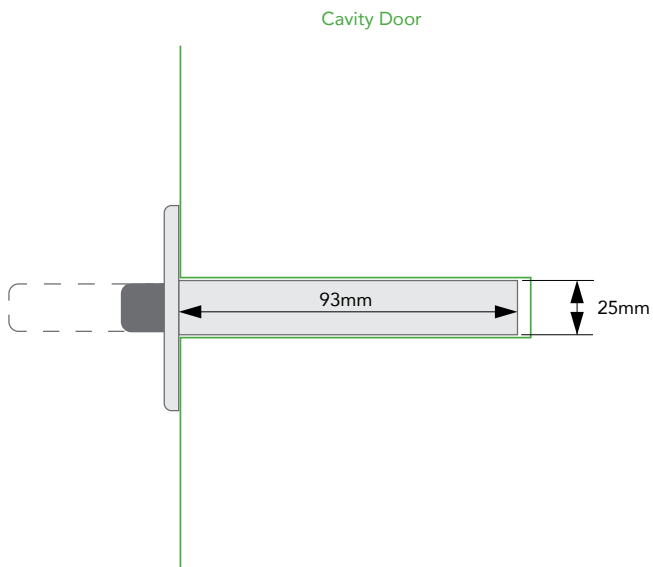
### Assembly / Installation Instructions

**What you need:** 1x One Touch Cavity Release System, 2x Screws (supplied), Drill, 25mm Speed Bore Bit, Tape Measure

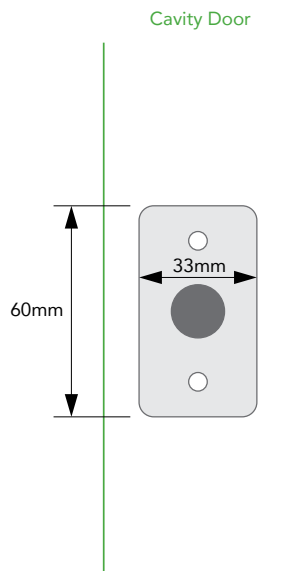
1. On the back edge of the door, measure 1200mm up from the bottom of the door and mark this at the centre.
2. Using a 25mm speed bore bit, drill a hole to a depth of 100mm.
3. Firmly push the Cavity Release System into the drilled hole and secure with the two screws supplied.

Note: Glazed doors require available depth of 120mm.

### Cavity Door Face Profile



### Cavity Door Back Edge Profile



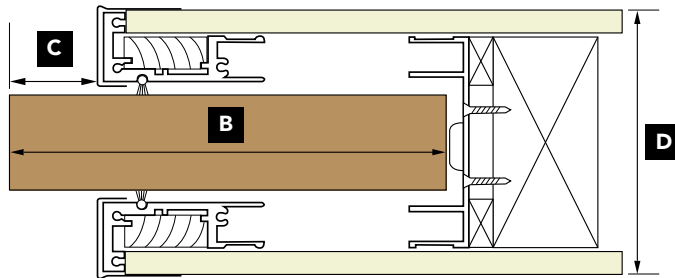
Order       Quote

Customer Order No	<input type="text"/>	Company Name	<input type="text"/>	Contact Name	<input type="text"/>	Contact Number	<input type="text"/>
Date	<input type="text"/>	Date Required	<input type="text"/>	Max Door Thickness 40mm			

Qty	Type	Door Height (A)	Door Width (B)	Door Projection (C)	Wall Thickness (D)	Finished Floor to underside Ceiling/Bulkhead (E)	Jamb Type	Head Detail	ADX Door Required?	Door Type	If glass, Type(G)	Soft Close	Glass Clamp
Example 3	Flushline	2000	820	NIL	10/90/10	2060	F	With Bulkhead	YES	10mm Frameless Glass	CL	YES	YES
1						NOT REQUIRED IF (A) SUPPLIED							
2						NOT REQUIRED IF (A) SUPPLIED							
3						NOT REQUIRED IF (A) SUPPLIED							
4						NOT REQUIRED IF (A) SUPPLIED							

### Measurements B C D

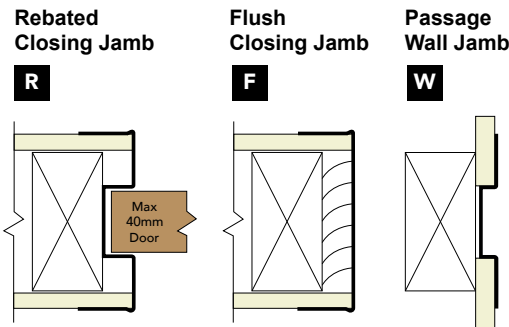
10mm or 13mm Plasterboard | 90/92mm Timber or Steel Stud



Please Note: 90mm stud trims included in system. Customer to supply trims if stud is not 90mm.

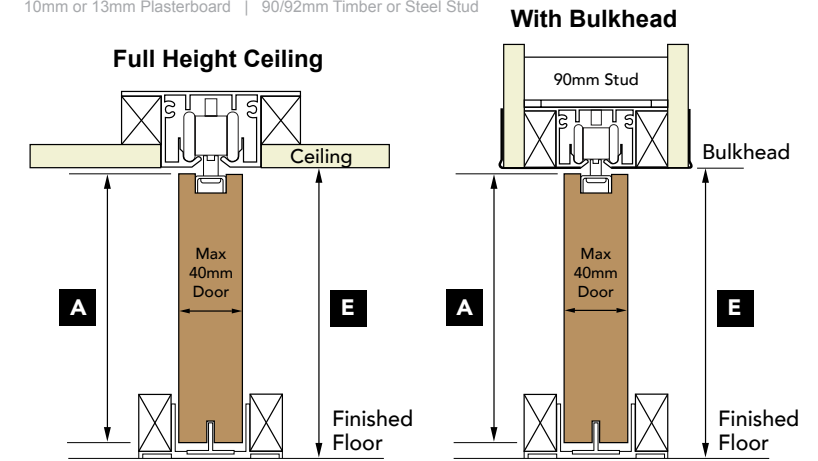
### 3 Jamb Types

10mm or 13mm Plasterboard | 90/92mm Timber or Steel Stud



### Measurements A E & Head Detail Options

10mm or 13mm Plasterboard | 90/92mm Timber or Steel Stud



**G Glass Types:** CL = Clear, OP = Opaque, TG = Translucent Grey

### Office use only

Sales Person:

Phone:       Delivery Docket:

### Customer Signature

I agree that the details submitted on this order form are accurate in every aspect.

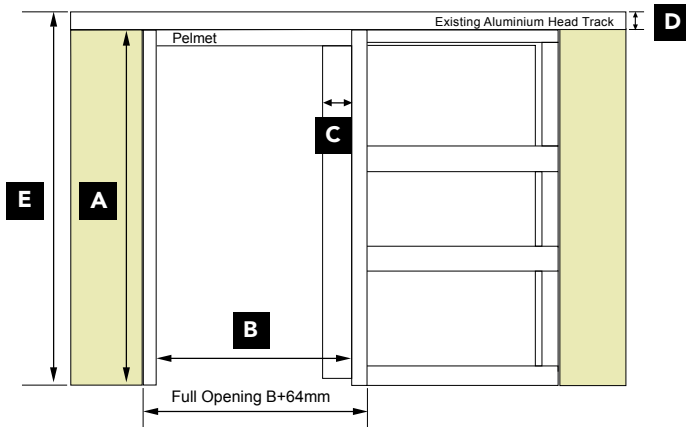
If you require assistance completing this form, please call (08) 8292 5000 or email us at [solutions@adxdepot.com.au](mailto:solutions@adxdepot.com.au)

Order       Quote

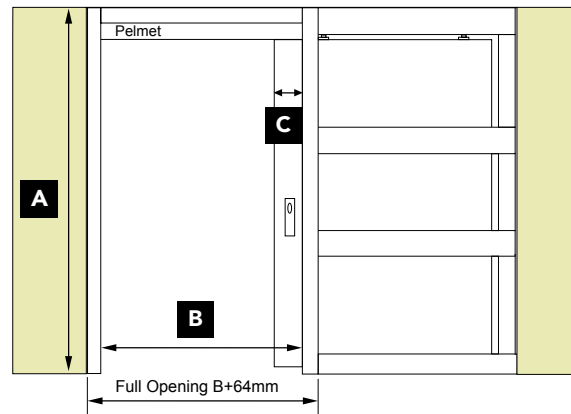
Customer Order No	<input type="text"/>	Company Name	<input type="text"/>	Contact Name	<input type="text"/>	Contact Number	<input type="text"/>
Date	<input type="text"/>	Date Required	<input type="text"/>	Colour:	<input type="text"/>	Code:	<input type="text"/>
						Brand:	<input type="text"/>

Qty	Finished Frame Height (A)	Opening Width (B)	Door Projection (C)	Head Detail	D + E Only Apply to Option #1 (see diagram below)		ADX Door Required?	Door Type	Stud Size	Finish
					Height of Head Track (D)	Floor to Underside of Ceiling/Bulkhead (E)				
Example 3	2140	900	NIL	Option 2	32	2172	YES	44mm Aluminium framed door	92mm	N/A
1	<input type="text"/>	<input type="text"/>	<input type="text"/>	<input type="text"/>	<input type="text"/>	CONFIRM A + D = E	<input type="text"/>	<input type="text"/>	<input type="text"/>	<input type="text"/>
2	<input type="text"/>	<input type="text"/>	<input type="text"/>	<input type="text"/>	<input type="text"/>	CONFIRM A + D = E	<input type="text"/>	<input type="text"/>	<input type="text"/>	<input type="text"/>
3	<input type="text"/>	<input type="text"/>	<input type="text"/>	<input type="text"/>	<input type="text"/>	CONFIRM A + D = E	<input type="text"/>	<input type="text"/>	<input type="text"/>	<input type="text"/>
4	<input type="text"/>	<input type="text"/>	<input type="text"/>	<input type="text"/>	<input type="text"/>	CONFIRM A + D = E	<input type="text"/>	<input type="text"/>	<input type="text"/>	<input type="text"/>

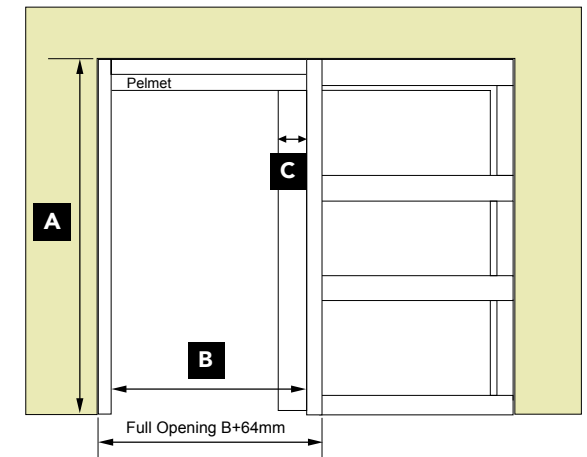
**OPTION 1 - Full height into existing aluminium head track**



**OPTION 2 - Full height**



**OPTION 3 - Plasterboard above unit**



Refer to Metinno Cavity Sliding Doors brochure for images of each option

Office use only	
Sales Person:	<input type="text"/>
Phone:	<input type="text"/>
Delivery Docket:	<input type="text"/>

Customer Signature	<input type="text"/>
<input type="checkbox"/>	I agree that the details submitted on this order form are accurate in every aspect.

<b>Print</b>	<b>Submit</b>
--------------	---------------

If you require assistance completing this form, please call (08) 8292 5000 or email us at [solutions@adxdepot.com.au](mailto:solutions@adxdepot.com.au)





**METINNO®**

**CAVITY SLIDING DOORS**

Get in touch to learn more about the  
Metinno® product range.

*Distributed by:*



**P:** 08 8292 5000 **E:** [solutions@adxdepot.com.au](mailto:solutions@adxdepot.com.au)